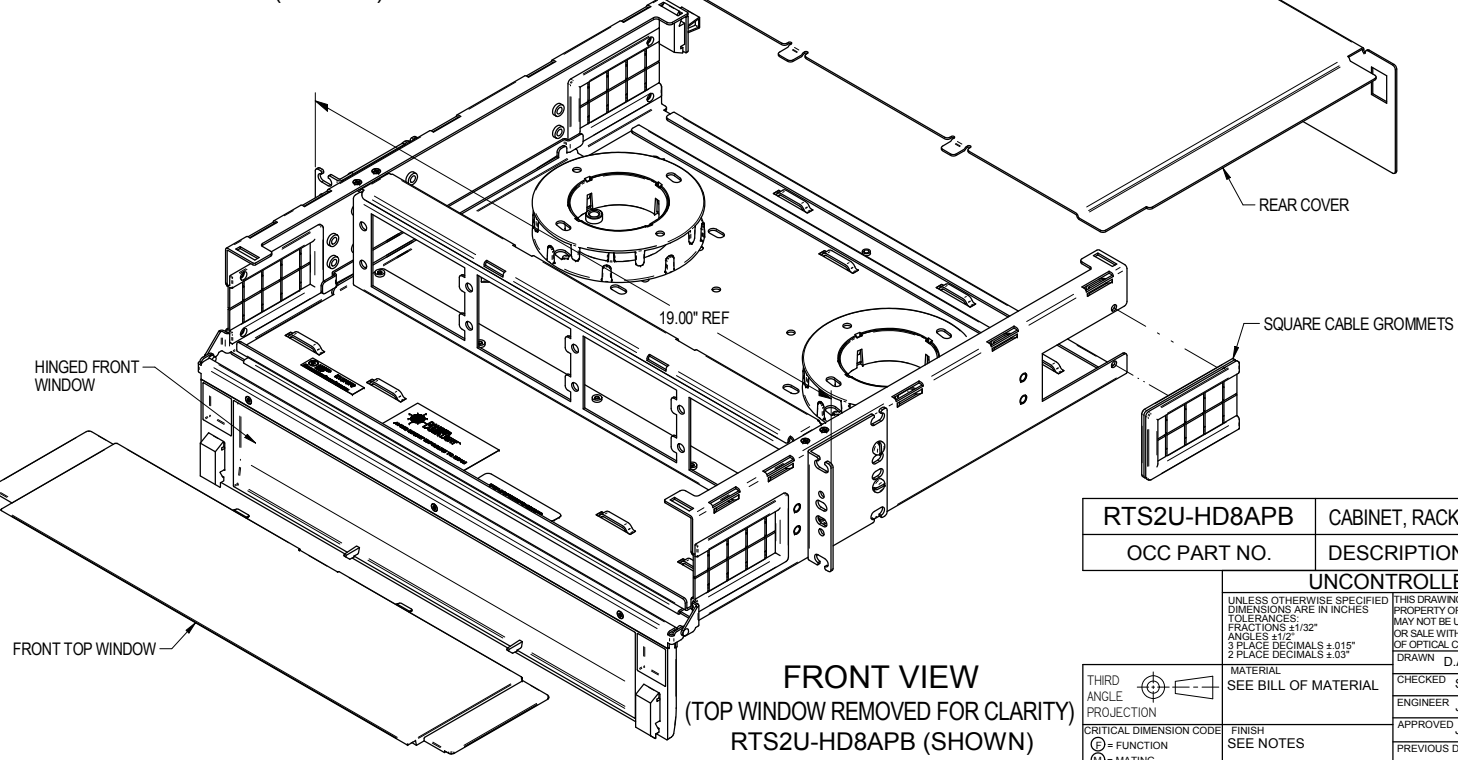
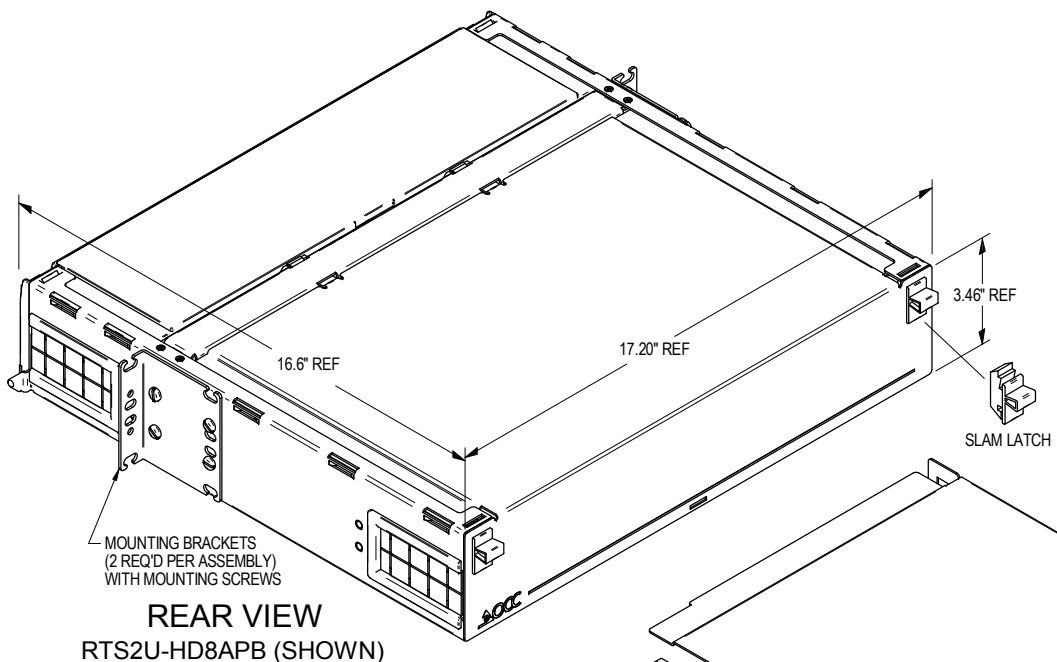


REVISION HISTORY		DATE	ECN	CHECKED
REV/SHT	DESCRIPTION			
A	ALL RELEASE NEW	1/14/14	NEW	JH

## SPECIFICATIONS

### FEATURES & BENEFITS:

- OPTICAL CABLE CORPORATION'S, RTS2U SERIES LOW PROFILE FIBER OPTIC CROSS CONNECT ENCLOSURES PROVIDE FIBER MANAGEMENT, CONNECTIVITY, AND DISTRIBUTION FOR 6-96 FIBERS. ACCOMMODATES ALL CROSS CONNECT FUNCTIONS (SPlicing, TERMINATION, AND INTERCONNECTION) FOR OUTSIDE PLANT, BACKBONE, AND BUILDING CABLES.
- ACCOMMODATES OCC HD SNAP-IN ADAPTER PLATES. RTS2U ENCLOSURE PORT COUNT IS BASED UPON THE PORT DENSITY OF THE ADAPTER PLATES. ADAPTER PLATES ORDERED SEPARATELY.
- RTS2U ENCLOSURES PROVIDE INNOVATIVE FIBER ORGANIZATION UTILIZING STACKABLE FIBER HOOPS DESIGNED TO MAINTAIN ORDERLY FIBER MANAGEMENT AND ALLOW FOR GREATER SEGREGATION OF INCOMING FIBER CABLES
- PLASTIC GROMMETS PROVIDE RELIABLE CABLE PROTECTION AT ALL CABLE ENTRANCES AND EXITS.
- RUGGED 16-GAUGE STEEL CONSTRUCTION WITH A DURABLE POWDER COAT FINISH. RTS2U DRAWER COLOR: B = BLACK
- SLIDING TRAY PROVIDE EASY FRONT AND REAR ACCESS AND CAN BE REMOVED ENTIRELY FROM THE ENCLOSURE FOR A CONVENIENT WORK SURFACE
- HINGED TRANSPARENT COVER ALLOWS FOR VISUAL INSPECTION OF PORTS AND DEFINED LABELING FIELD PROVIDED FOR TIA 606A COMPLIANCE.
- STANDARD UNIVERSAL MOUNTING BRACKETS INCLUDED TO FIT 19" AND 23" RACKS OR CABINETS. OPTIONAL RECESS BRACKETS ARE AVAILABLE TO ALLOW RTS2U ENCLOSURES TO FIT FLUSH WITH RACK
- ALL PLASTIC COMPONENTS ARE HIGH-IMPACT SELF-EXTINGUISHING, UL LISTED RATING 94 V-0.
- SPLICE TRAY KIT(S) AND EXTERNAL STRAIN RELIEF BRACKETS MAY BE ORDERED SEPARATELY AS AN OPTION FOR THE RTS2U ENCLOSURE.



**UNCONTROLLED COPY**

"OPTICAL CABLE CORPORATION (OCC) RESERVES THE RIGHT TO REVISE ANY RACK CABINET SPECIFICATIONS."

<b>RTS2U-HD8APB</b>	CABINET, RACK MNT, RTS, 2 UNIT, 8 ADAPTER PLATES, BLACK, HIGH DENSITY
<b>OCC PART NO.</b>	<b>DESCRIPTION</b>

<p>UNLESS OTHERWISE SPECIFIED THIS DRAWING AND THE DESIGN SHOWN ARE THE PROPERTY OF OPTICAL CABLE CORPORATION AND MAY NOT BE USED AS THE BASIS FOR MANUFACTURE OR SALE WITHOUT SPECIFIC WRITTEN PERMISSION OF OPTICAL CABLE CORPORATION.</p> <p>TOLERANCES: FRACTIONS ±1/32" ANGLES ±1/2° 3 PLACE DECIMALS ±.015" 2 PLACE DECIMALS ±.03"</p>		<p><b>UNCONTROLLED COPY</b></p>			
MATERIAL SEE BILL OF MATERIAL	CHECKED S.PORACH DATE 1/21/14	ENGINEER J.YANIK DATE 1/14/14	APPROVED J.HOWE DATE 1/21/14	<p>DWG TITLE <b>CUSTOMER DRAWING, CABINET ASSEMBLY, RTS2U, RACK MNT SLIDING, 8 PLATES</b></p>	
THIRD ANGLE PROJECTION	FINISH SEE NOTES	PREVIOUS DWG	NEXT DWG	SIZE <b>C</b>	DWG NO. <b>C111654</b>
CRITICAL DIMENSION CODE	FILENAME C111654S2A.dft	SCALE: NONE	SHEET 2 OF 2	REV <b>A</b>	