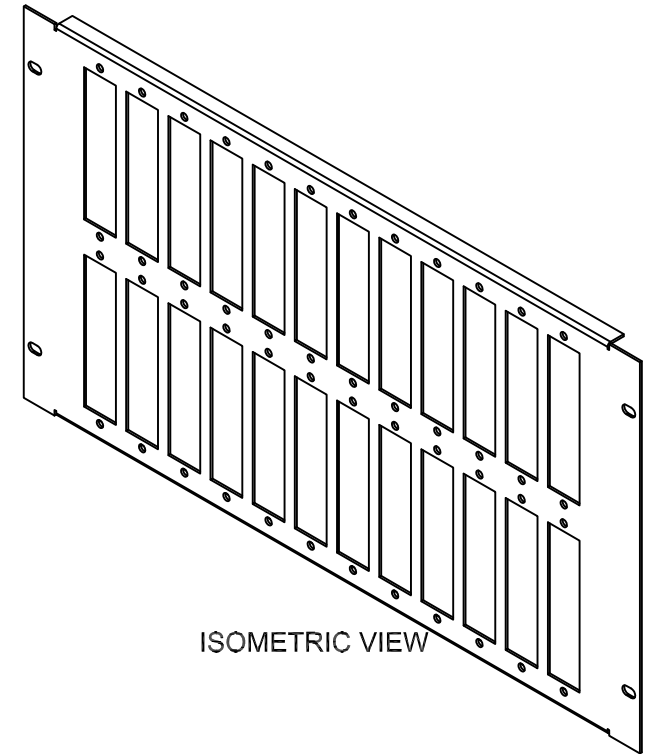
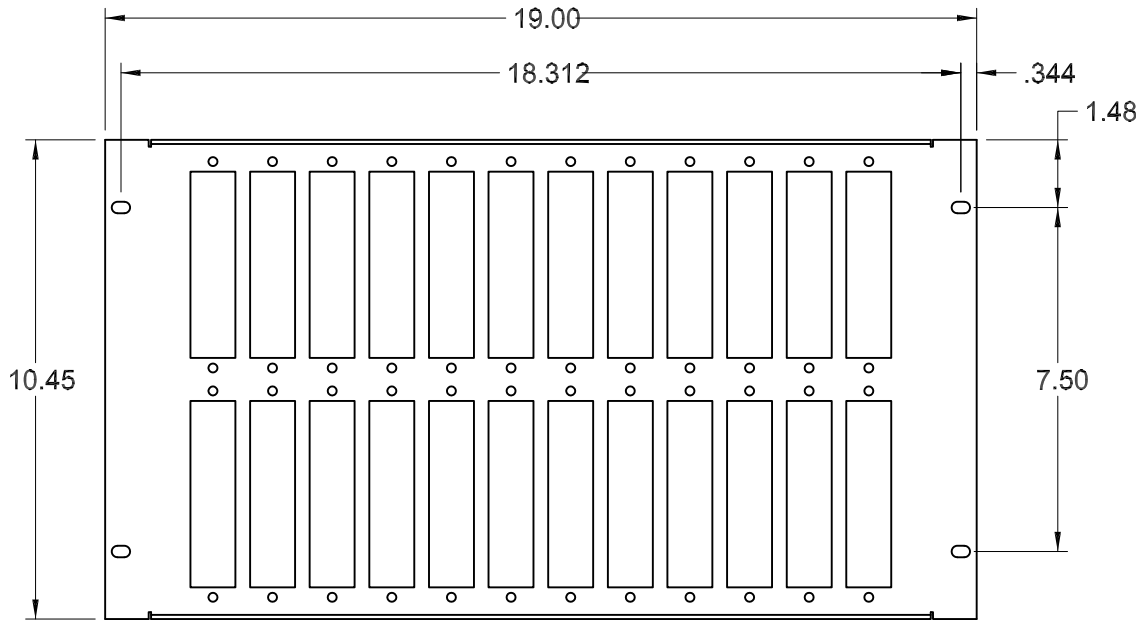
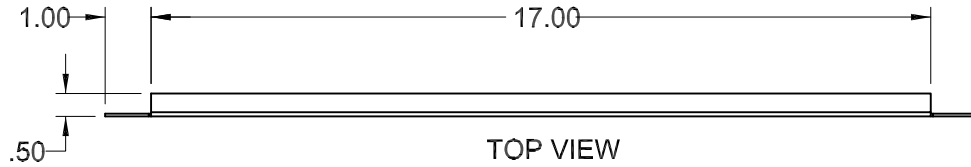


REVISION HISTORY				
REV	SHT	DESCRIPTION	DATE	CHECKED
A	ALL	RELEASE NEW	4/13/04	JY



BHP144	PATCH PANEL, 144 PORT F-O MOUNTING
OCC PART NO	DESCRIPTION



Importado y Distribuido por Real Optic Limitada - Distribuidor Autorizado de la Marca
 Avenida Ventisquero #1204 Modulo 18 - Renca, Chile -
 ventas@realoptic.com - www.realoptic.com -WP:+56996374501

UNLESS OTHERWISE SPECIFIED
 DIMENSIONS ARE IN INCHES.
 TOLERANCES: FRACTIONS ±1/32"
 ANGLES ±1/2°
 3 PLACE DECIMALS ±.005"
 2 PLACE DECIMALS ±.01"

MATERIAL
 16 GA CRS
 (.0598 THK REFERENCE)


FINISH
 POWDER COAT: BLACK
 PER SPEC# 10002501

THIS DRAWING AND THE DESIGN SHOWN ARE THE PROPERTY OF OPTICAL CABLE CORPORATION AND MAY NOT BE USED AS THE BASIS FOR MANUFACTURE OR SALE WITHOUT SPECIFIC WRITTEN PERMISSION OF OPTICAL CABLE CORPORATION.	
DRAWN	R.B.SMITH
DATE	4/13/04
CHECKED	J.YANIK
DATE	4/13/04
ENGINEER	R.B.SMITH
DATE	4/13/04
APPROVED	J.HOWE
DATE	4/13/04
PREVIOUS DWG	
NEXT DWG	

 	
OPTICAL CABLE CORPORATION REAL OPTIC	
DWG TITLE PATCH PANEL, 144 PORT FIBER MOUNTING	
SIZE B	DWG NO. C106672
SCALE: NONE	SHEET 1 OF 1
REV A	

UNCONTROLLED COPY

THIRD ANGLE PROJECTION



CRITICAL DIMENSION CODE

- F = FUNCTION
- M = MATING
- A = AUDIT