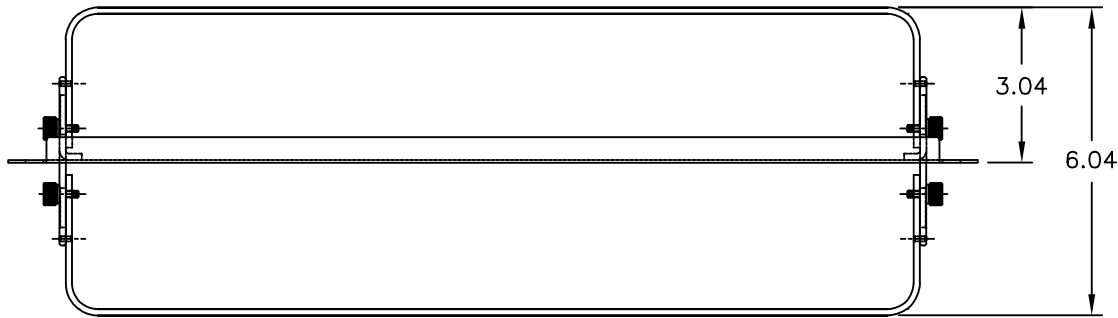
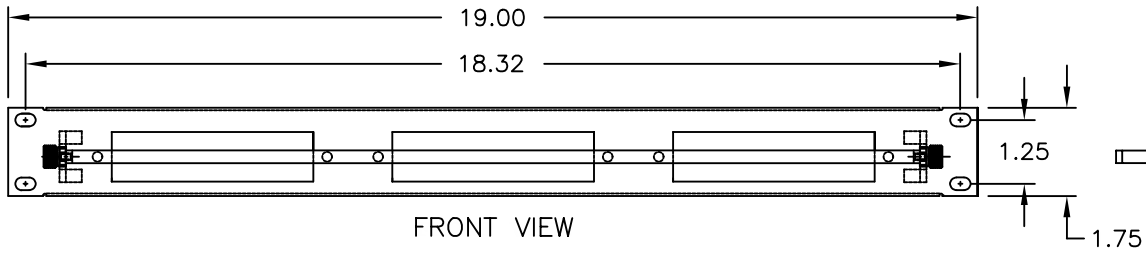


FIBEROPTICX CROSS-CONNECT CABINETS

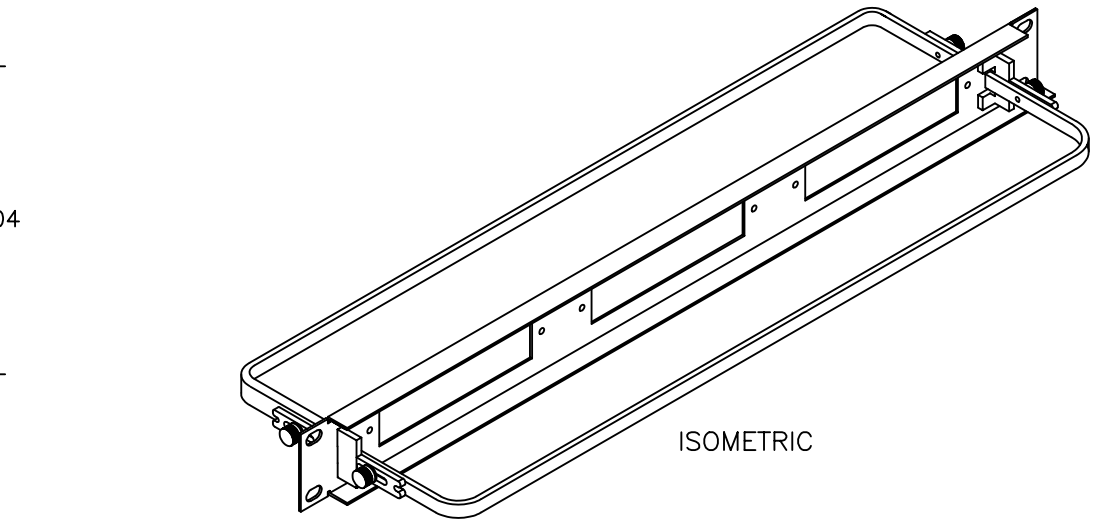
RACK MOUNT FIBER OPTIC CABINETS



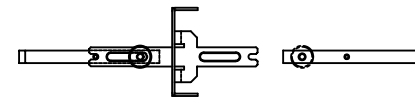
TOP VIEW



FRONT VIEW



ISOMETRIC



RIGHT SIDE



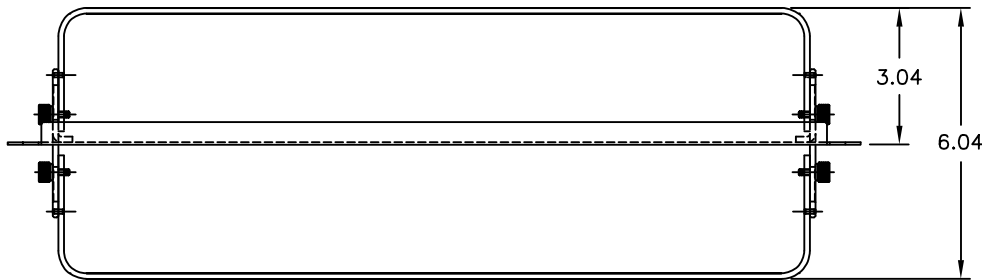
REAL OPTIC

Importado y Distribuido por Real Optic Limitada - Distribuidor Autorizado de la Marca
Avenida Ventisquero #1204 Modulo 18 - Renca, Chile - ventas@realoptic.com -
www.realoptic.com -WP:+56996374501

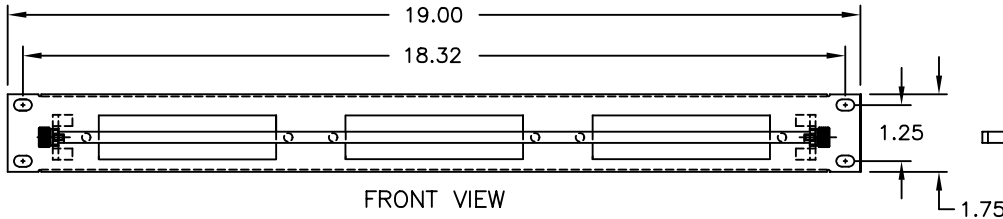
FIBEROPTICX CROSS-CONNECT CABINETS

RACK MOUNT FIBER OPTIC CABINETS

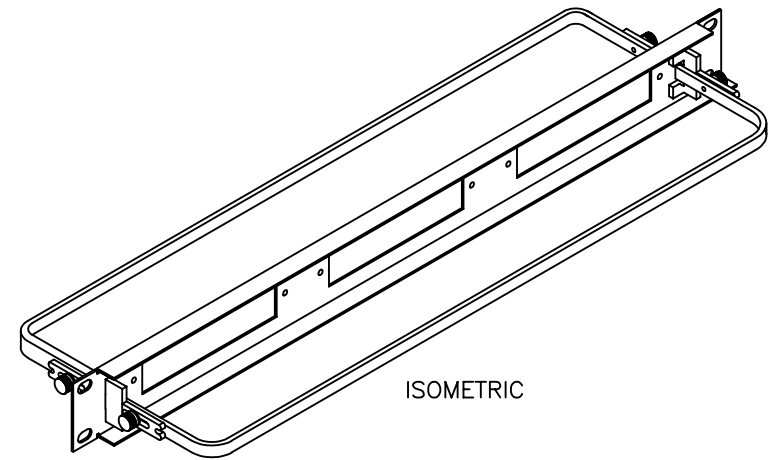
REV		SHT		REVISIONS			DATE	ECN	CHECKED
A	ALL	RELEASE	NEW				8/15/01	NEW	RBS



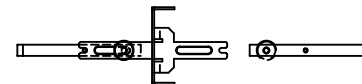
TOP VIEW



FRONT VIEW



ISOMETRIC



RIGHT SIDE

SPECIFICATIONS

FEATURES & BENEFITS:

- OPTICAL CABLE CORPORATION, FIBEROPTICX (BHP SERIES) FIBER OPTIC MOUNTING CROSS CONNECT PATCH PANELS PROVIDE FIBER MANAGEMENT, CONNECTIVITY AND DISTRIBUTION FOR 6 TO 36 FIBERS. ACCOMMODATES ALL CROSS CONNECT FUNCTIONS (SPlicing, TERMINATION, & INTERCONNECTION) FOR OUTSIDE PLANT, BACKBONE, AND BUILDING CABLES.
- ACCOMMODATES SNAP-IN ADAPTER PLATES. BHP PANEL PORT COUNT IS BASED ON 6 PORT ADAPTER PLATES FOR TERMINATE AND CABLE MANAGEMENT. (EXAMPLE: BHP3 ACCOMMODATES THREE 6 PORT ADAPTER PLATES). WELL SUITED TO MULTIMEDIA/MULTI-APPLICATION CABLING ENVIRONMENTS. NOTE: ADAPTER PLATES ORDERED SEPARATELY.
- PANEL IS RUGGED 16-GAUGE STEEL CONSTRUCTION WITH A DURABLE POWDER COAT FINISH, COLOR BLACK.
- STRAIN AND BEND PROTECTION BARS OFFER ENHANCED CABLE MANAGEMENT. TIE-WRAPPS PROVIDED TO CONTROL CABLING ALONG BAR. NOTE: BAR IS REMOVABLE FOR INSTALLATION CONVENIENCE.
- STANDARD PATCH PANEL MOUNTING TO FIT 19" AND 23" RACKS MOUNTING HARDWARE INCLUDED WITH BHP PANELS.
- ALL PLASTIC COMPONENTS ARE HIGH IMPACT SELF-EXTINGUISHING, UL LISTED RATING 94V-0.

Importado y Distribuido por Real Optic Limitada - Distribuidor Autorizado de la Marca Avenida Ventisquero #1204 Modulo 18 - Renca, Chile - ventas@realoptic.com - www.realoptic.com -WP:+56996374501

BHP3		PATCH PANEL ASSY, 18 PORT, F.O. MOUNTING	
OCC PART NO.		DESCRIPTION	
UNCONTROLLED COPY			
DIMENSIONS ARE IN INCHES. TOLERANCES: ANGLES $\pm 1/32^\circ$ 3 PLACE DECIMALS $\pm .005$ " 2 PLACE DECIMALS $\pm .01$ "		THIS DRAWING AND THE DESIGN SHOWN ARE THE PROPERTY OF OPTICAL CABLE CORPORATION AND MAY NOT BE USED AS THE BASIS FOR MANUFACTURE OR SALE WITHOUT SPECIFIC WRITTEN PERMISSION OF OPTICAL CABLE CORPORATION.	
MATERIAL PANEL: CRS 16 GAGE RAIL: .125 X .250 BAR		DRAWN BY D.A.HOLBERT CHECKED BY R.B.SMITH ENGINEER J.YANIK	DATE 8/15/01 DATE 11/30/01 DATE 8/15/01
FINISH PAINTED BLACK (756) BAKED VINYL ORGANOSOL PER SPEC WL-2338		APPROVED S.VAUGHN PREVIOUS DWG	DATE 11/30/01
THIRD ANGLE PROJECTION	CRITICAL DIMENSION CODE (F) = FUNCTION (M) = MATING (A) = AUDIT	FILENAME C100673A.DWG	SCALE NONE
DWG TITLE RACK MOUNT CABINETS, PATCH PANEL ASSEMBLY, BHP3		SIZE B	DWG NO. C100673
REV A		SHEET 1 OF 1	

