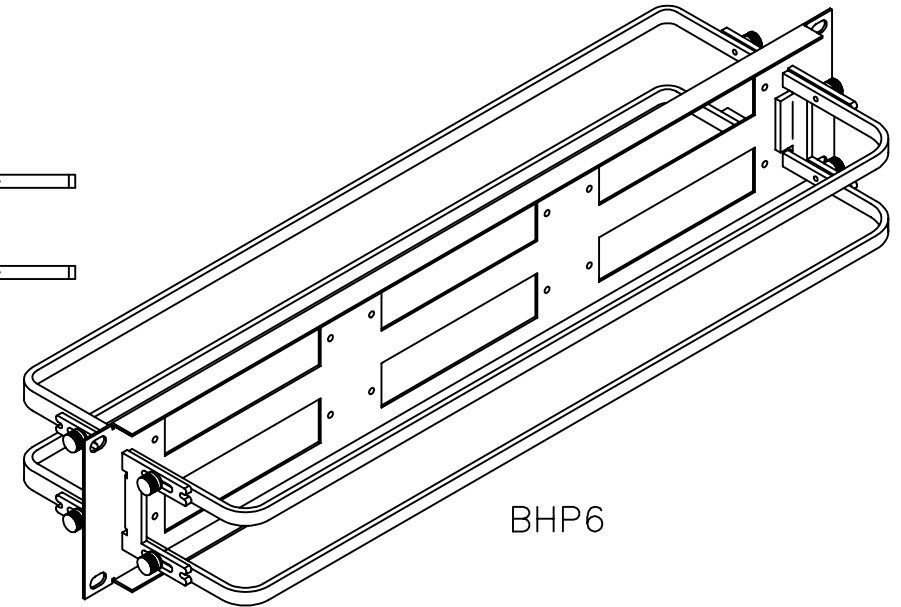
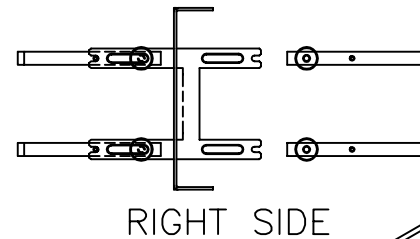
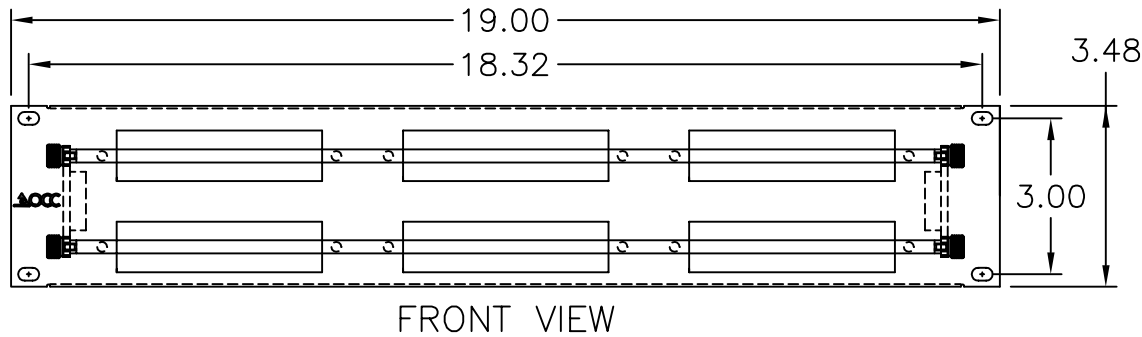
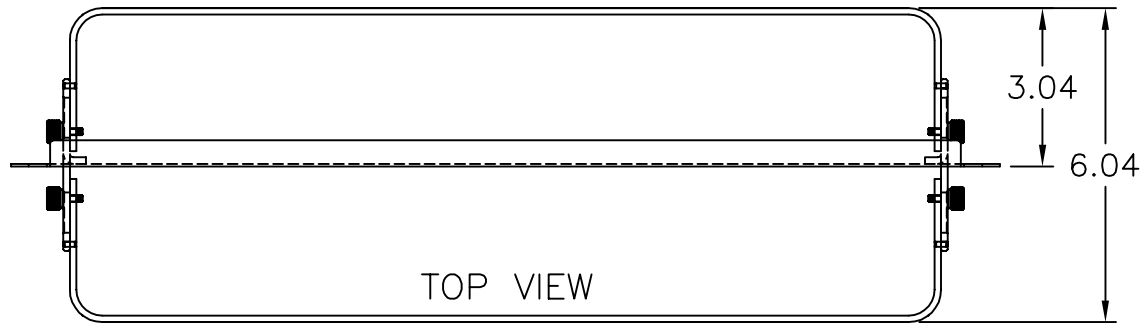


REV		SHT		DESCRIPTION	DATE	ECN	CHECKED
A		ALL		RELEASE NEW	8/15/01	NEW	RBS



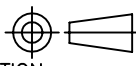


## SPECIFICATIONS

### FEATURES & BENEFITS:

- OPTICAL CABLE CORPORATIONS, FIBEROPTICX (BHP SERIES) FIBER OPTIC MOUNTING CROSS CONNECT PATCH PANELS PROVIDE FIBER MANAGEMENT, CONNECTIVITY AND DISTRIBUTION FOR 6 TO 144 FIBERS. ACCOMMODATES ALL CROSS CONNECT FUNCTIONS (SPlicing, TERMINATION, AND INTERCONNECTION) FOR OUTSIDE PLANT, BACKBONE, AND BUILDING CABLES.
- ACCOMMODATES SNAP-IN ADAPTER PLATES. BHP PANEL PORT COUNT IS BASED ON 6 PORT ADAPTER PLATES FOR TERMINATE AND CABLE MANAGEMENT. (EXAMPLE: BHP6 ACCOMMODATES SIX 6 PORT ADAPTER PLATES). WELL SUITED TO MULTIMEDIA/MULTI-APPLICATION CABLING ENVIRONMENTS. ADAPTER PLATES ORDERED SEPARATELY.
- PANEL IS RUGGED 16-GAUGE STEEL CONSTRUCTION WITH A DURABLE POWDER COAT FINISH, COLOR BLACK.
- STRAIN AND BEND PROTECTION BARS OFFER ENHANCED CABLE MANAGEMENT. TIE-WRAPs PROVIDED TO CONTROL CABLING ALONG BAR. BAR IS REMOVABLE FOR INSTALLATION CONVENIENCE.
- STANDARD PATCH PANEL MOUNTING TO FIT 19" AND 23" RACKS MOUNTING HARDWARE INCLUDED WITH BHP PANELS.
- ALL PLASTIC COMPONENTS ARE HIGH IMPACT SELF-EXTINGUISHING, UL LISTED RATING 94V-0.

Importado y Distribuido por Real Optic Limitada - Distribuidor Autorizado de la Marca  
Avenida Ventisquero #1204 Modulo 18 - Renca, Chile -  
ventas@realoptic.com - www.realoptic.com -WP:+56996374501

UNCONTROLLED COPY				  OPTICAL CABLE CORPORATION      REAL OPTIC	
THIRD ANGLE PROJECTION 	UNLESS OTHERWISE SPECIFIED DIMENSIONS ARE IN INCHES. TOLERANCES: FRACTIONS ±1/32" ANGLES ±1/2° 3 PLACE DECIMALS ±.005" 2 PLACE DECIMALS ±.01"	THIS DRAWING AND THE DESIGN SHOWN ARE THE PROPERTY OF OPTICAL CABLE CORPORATION AND MAY NOT BE USED AS THE BASIS FOR MANUFACTURE OR SALE WITHOUT SPECIFIC WRITTEN PERMISSION OF OPTICAL CABLE CORPORATION.	DRAWN BY D.A.HOLBERT      DATE 8/15/01	DWG TITLE RACK MOUNT CABINETS, PATCH PANEL ASSEMBLY, BHP6	
	MATERIAL PANEL: CRS 16 GAGE RAIL: .125 X .250 BAR	CHECKED BY R.B.SMITH      DATE 11/30/01	ENGINEER J.YANIK      DATE 8/15/01		
CRITICAL DIMENSION CODE ⓕ = FUNCTION Ⓜ = MATING Ⓐ = AUDIT	FINISH PAINTED BLACK (756) BAKED VINYL ORGANOSOL PER SPEC WL-2338	APPROVED S.VAUGHN      DATE 11/30/01	SIZE B	DWG NO. C100678	REV A
NEXT DWG		FILENAME C100678A.DWG	SCALE NONE	SHEET 1 OF 1	