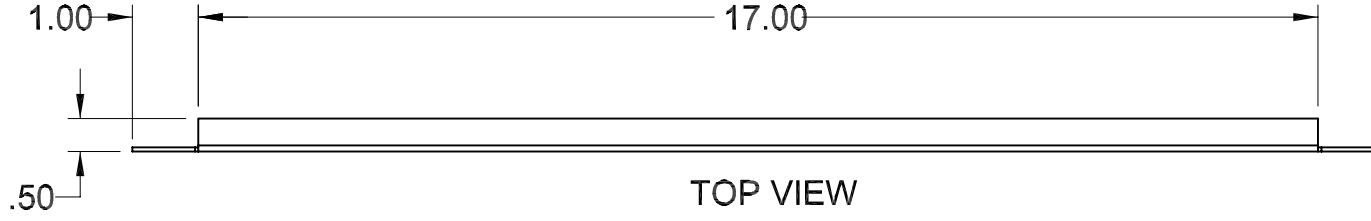
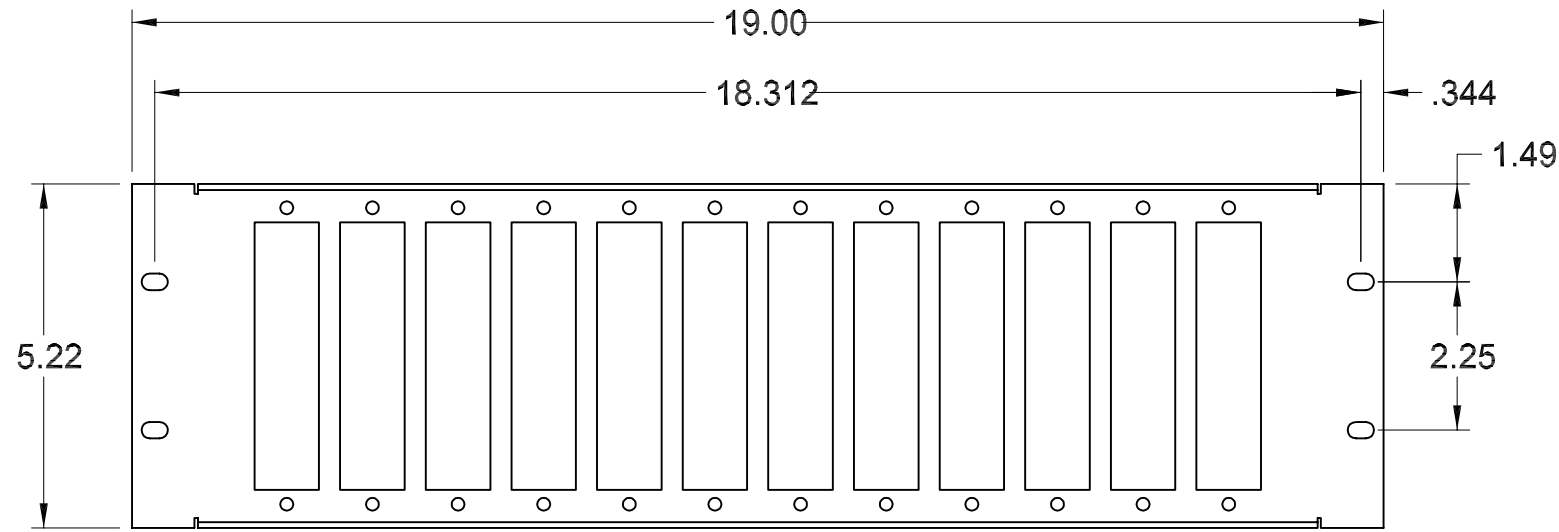


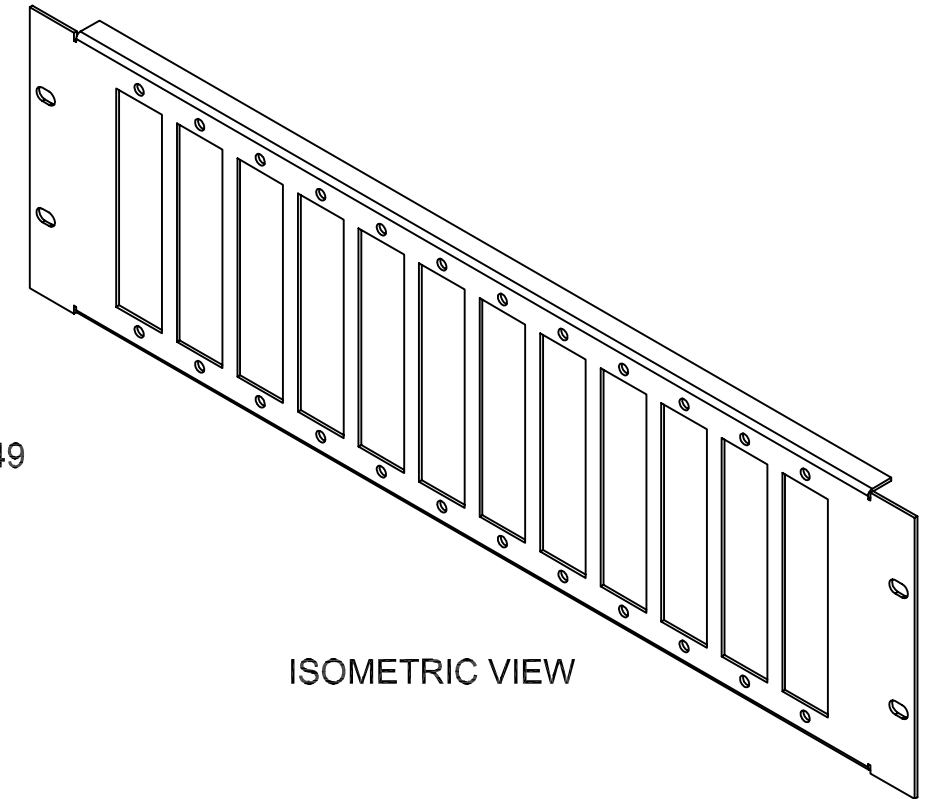
REV/SHT		REVISION HISTORY	DATE	ECN	CHECKED
A	ALL	RELEASE NEW	4/14/04	NEW	JY



TOP VIEW



FRONT VIEW



ISOMETRIC VIEW

BHP72	PATCH PANEL, 72 PORT F-O MOUNTING
OCC PART NO.	DESCRIPTION

UNLESS OTHERWISE SPECIFIED  
 DIMENSIONS ARE IN INCHES  
 TOLERANCES:  
 FRACTIONS ±1/32"  
 ANGLES ±1/2°  
 3 PLACE DECIMALS ±.005"  
 2 PLACE DECIMALS ±.01"

THIS DRAWING AND THE DESIGN SHOWN ARE THE  
 PROPERTY OF OPTICAL CABLE CORPORATION  
 AND MAY NOT BE USED AS THE BASIS FOR MANU-  
 FACTURE OR SALE WITHOUT SPECIFIC WRITTEN  
 PERMISSION OF OPTICAL CABLE CORPORATION.

THIRD ANGLE PROJECTION

CRITICAL DIMENSION CODE  
 (F) = FUNCTION  
 (M) = MATING  
 (A) = AUDIT

MATERIAL  
 16 GA CRS  
 (.0598 THK REFERENCE)

FINISH  
 POWDER COAT: BLACK  
 PER SPEC# 10002501

DRAWN	R.B.SMITH	DATE	4/14/04
CHECKED	J.YANIK	DATE	4/14/04
ENGINEER	R.B.SMITH	DATE	4/14/04
APPROVED	J.HOWE	DATE	4/14/04
PREVIOUS DWG			
NEXT DWG		FILENAME	C106677A.DFT

DWG TITLE		PATCH PANEL, 72 PORT FIBER MOUNTING	
SIZE	B	DWG NO.	C106677
SCALE:	NONE	SHEET	1 OF 1
REV	A		

UNCONTROLLED COPY